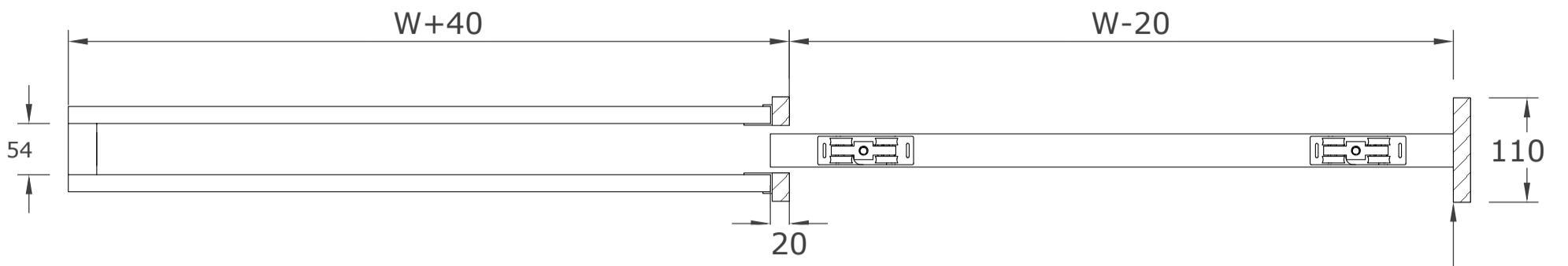




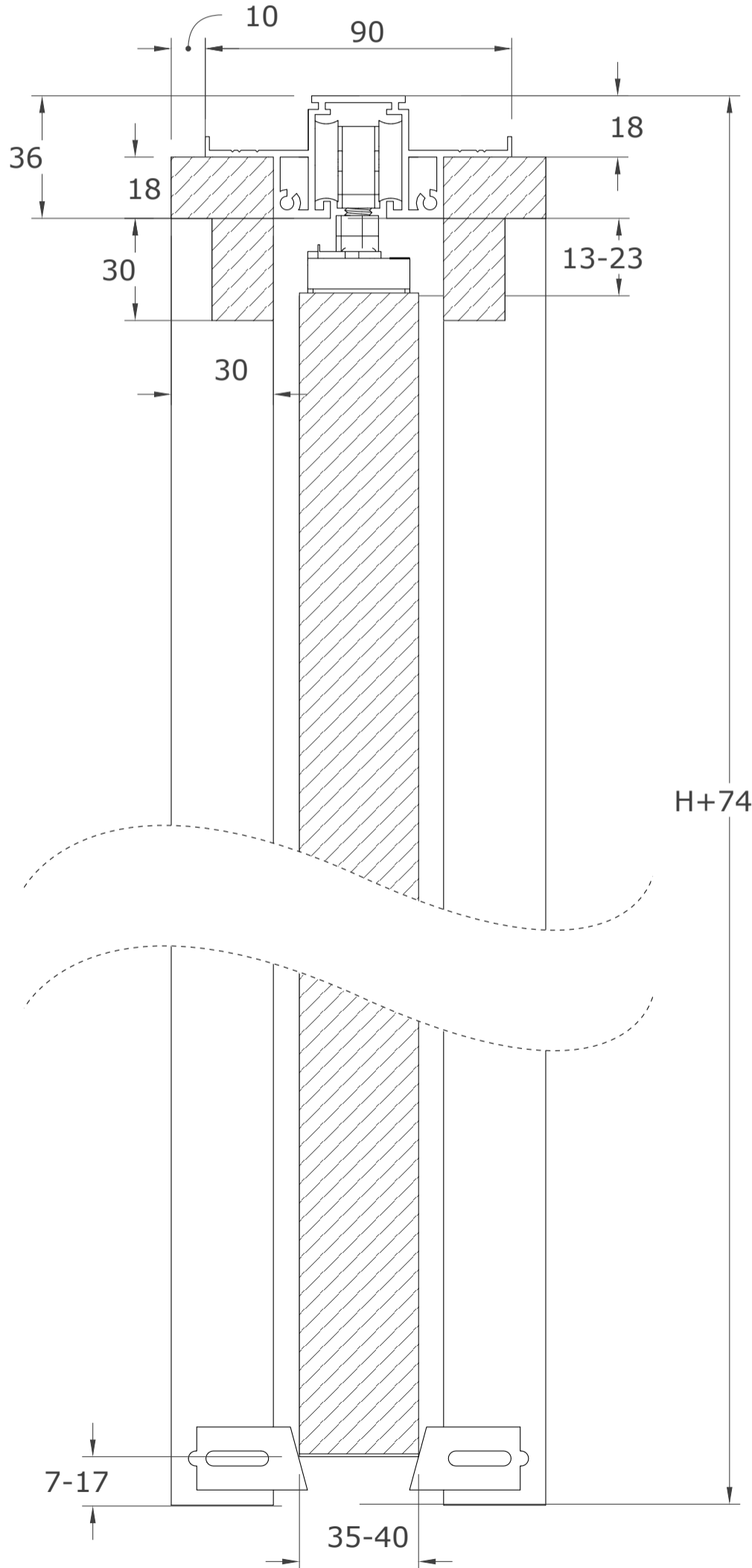
D4 DOORS COMPLETE & COMPLETE PLUS RANGE
CAVITY UNIT
DESIGN DETAILS

22 APRIL, 2024

COMPLETE RANGE

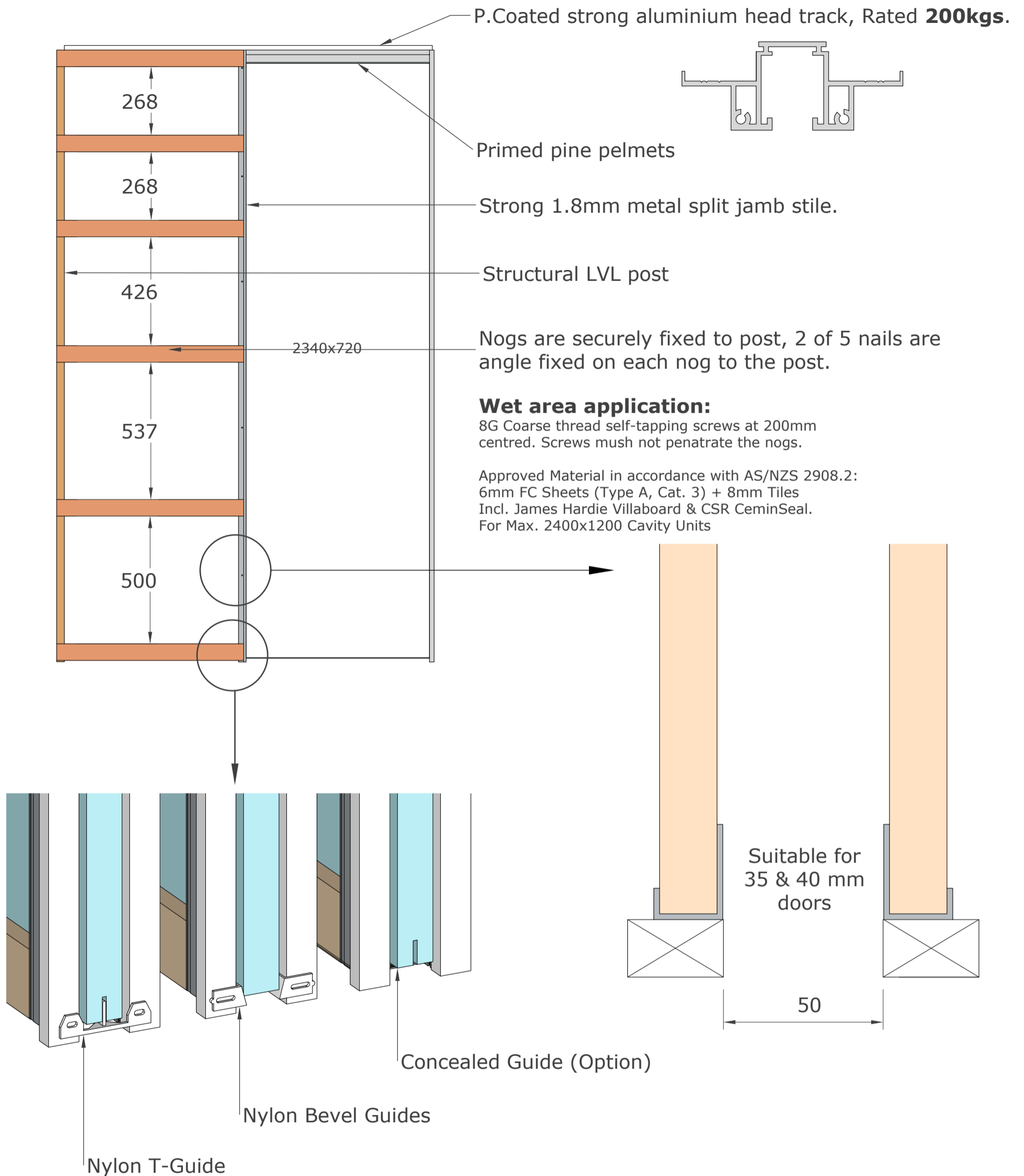


Closing Jamb
(VIC Only)



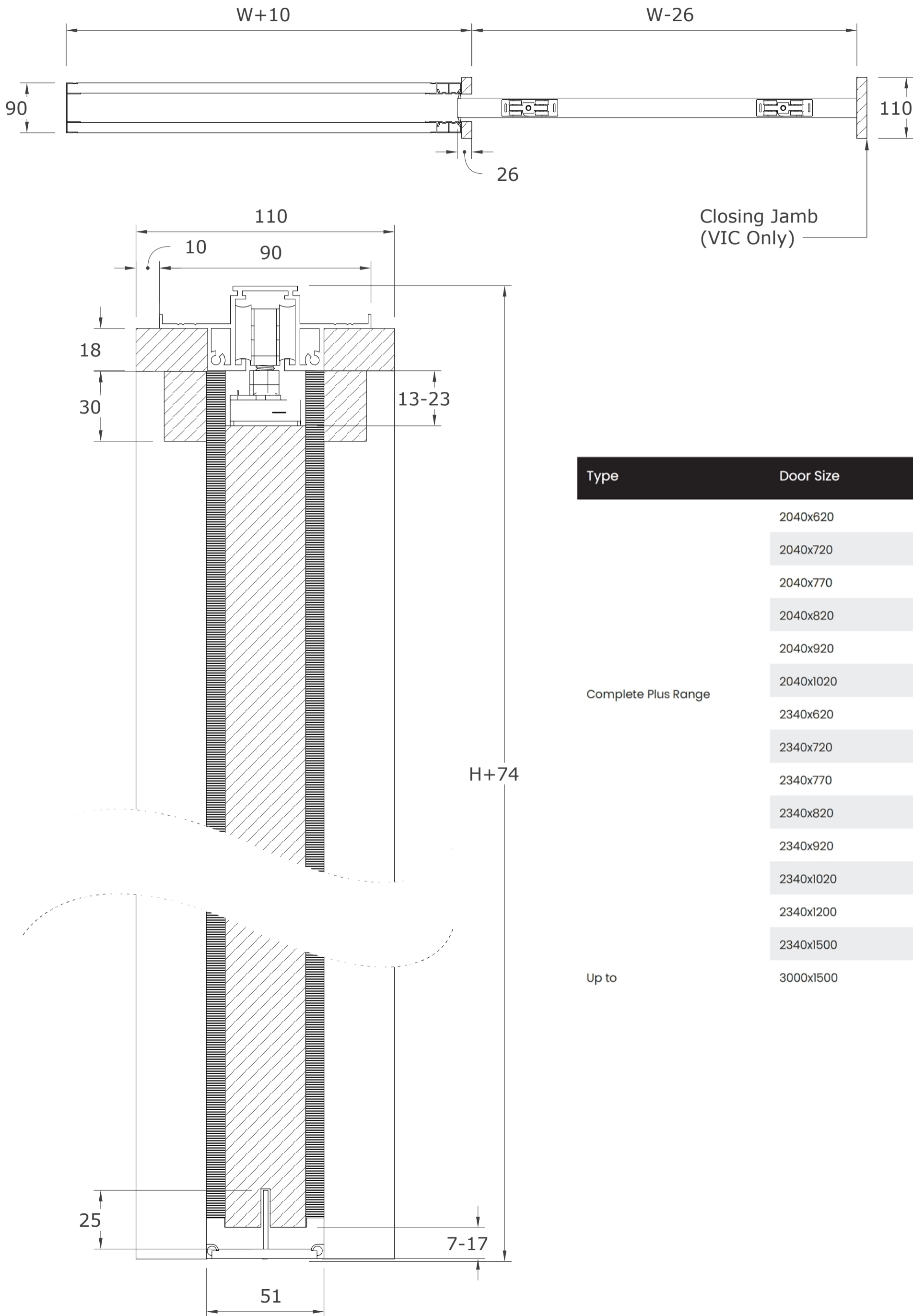
Type	Door Size	
Complete Range	2040x620	
	2040x720	
	2040x770	
	2040x820	
	2040x920	
	2340x620	
	2340x720	
	2340x770	
	2340x820	
	2340x920	
	2340x1020	
	2340x1200	
	Up to	2700x1200

Complete Range Details



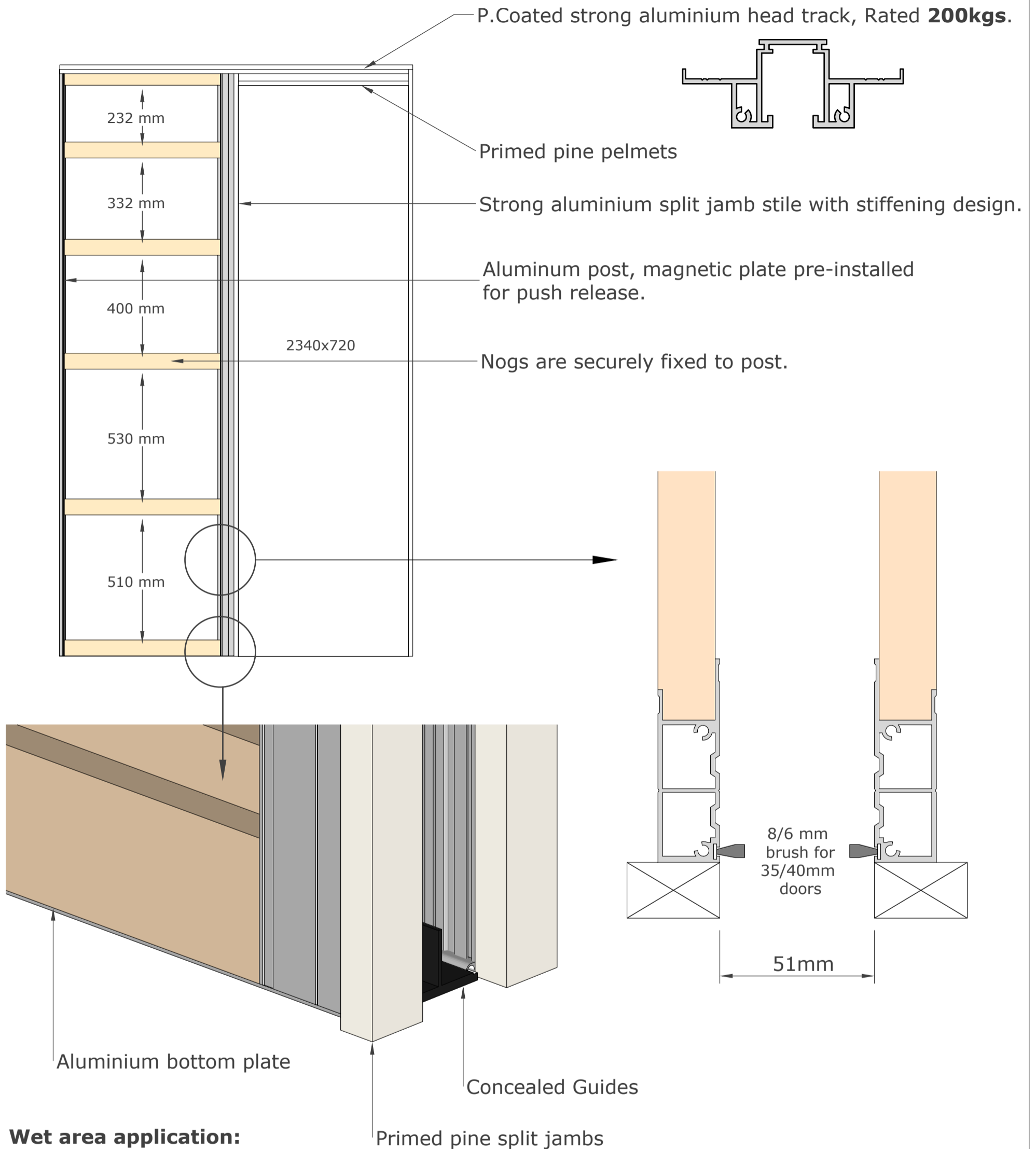
- One frame fits two, **Flush Pull & Flush Jamb** interchangeable.
- Includes **soft-close & soft-open** as standard.
- Push open release as option.

COMPLETE PLUS RANGE



Type	Door Size
Complete Plus Range	2040x620
	2040x720
	2040x770
	2040x820
	2040x920
	2040x1020
	2340x620
	2340x720
	2340x770
	2340x820
	2340x920
	2340x1020
	2340x1200
	2340x1500
	Up to

Complete Plus Range



Wet area application:

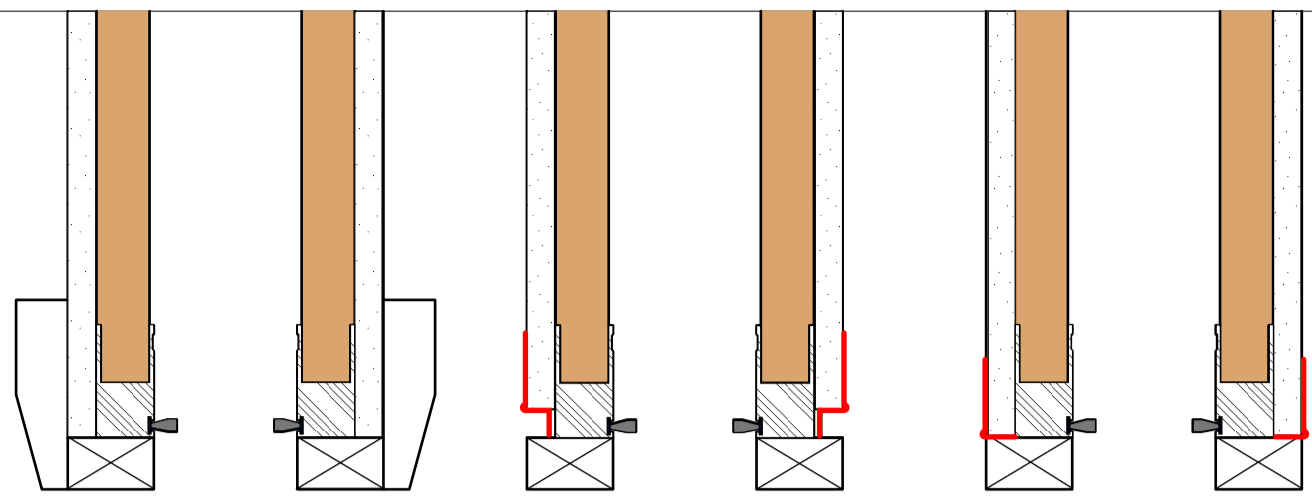
8G Coarse thread self-tapping screws at 200mm centred. Screws must not penetrate the nogs.

Approved material in accordance with AS/NZS 2908.2:

1. 6mm FC Sheets (Type A, Cat. 3) + 8mm Tiles
 2. 9mm FC Sheets (Type A, Cat. 3) + 10mm Tiles
- Incl. James Hardie Villaboard & CSR CeminSeal.
For Max. 2400x1200 Cavity Units

- One frame fits two, **Flush Pull & Flush Jamb** interchangeable
- Flush pull includes **soft-close & soft-open**
- Flush Jamb includes **soft-close & soft-open** or **push open** release

Jamb Finish

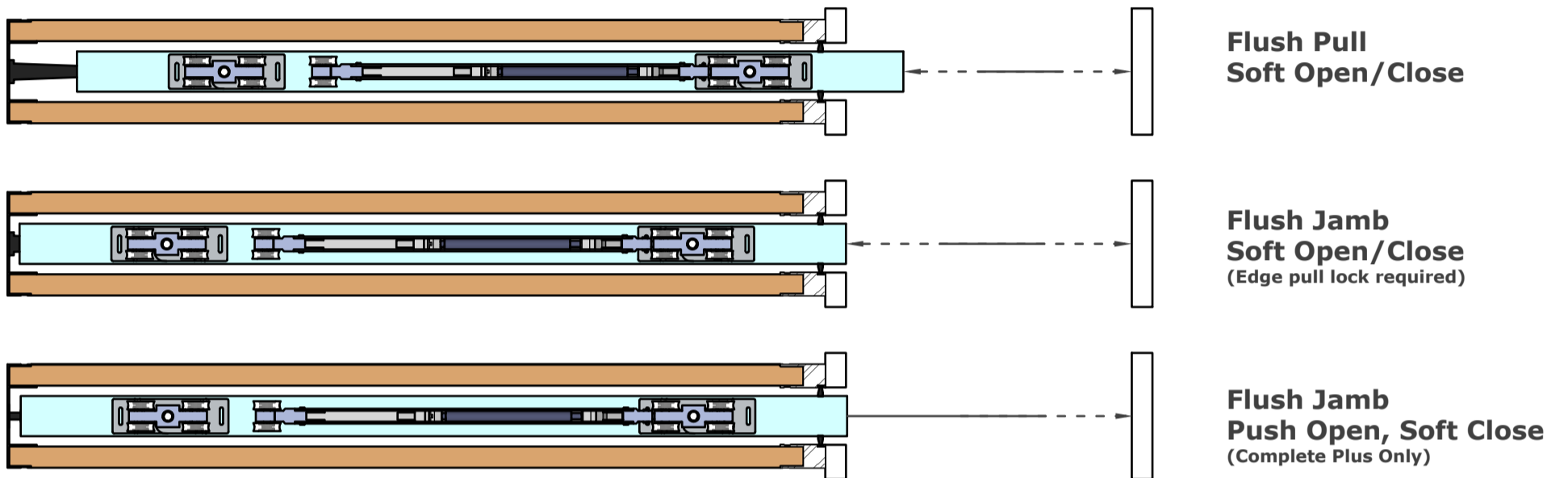


Architrave

Shadowline

Square Set

Operation Options



ASSESSORIES

